

2

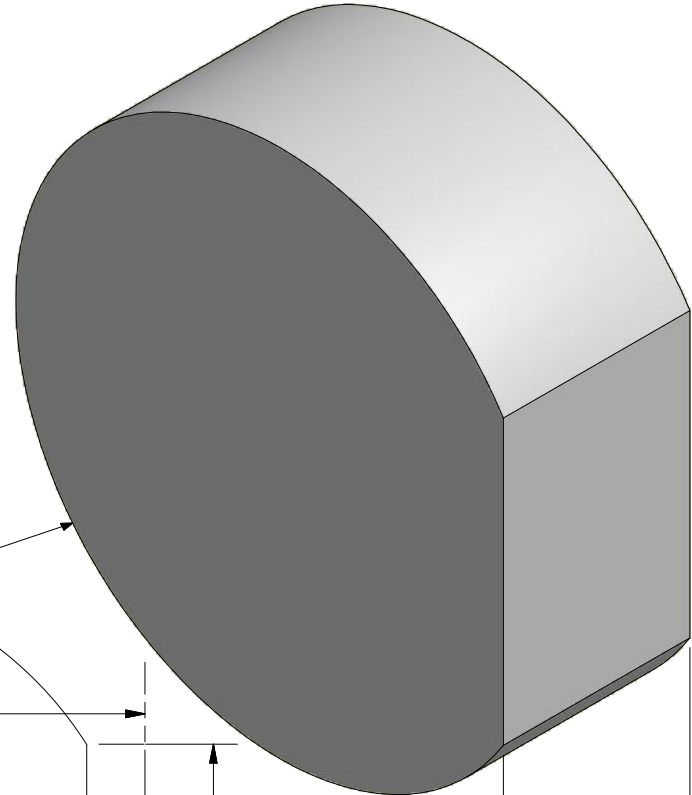
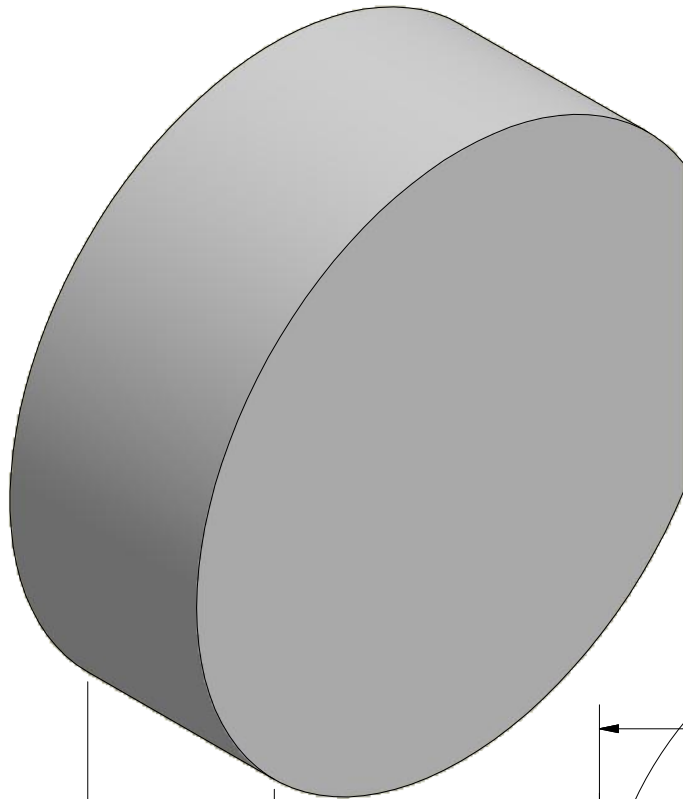
1

Surplus Metal Lot 0218

410 Cond A stainless
AMS 5613P round bar
7.785" diameter x 2.75" length

B

B



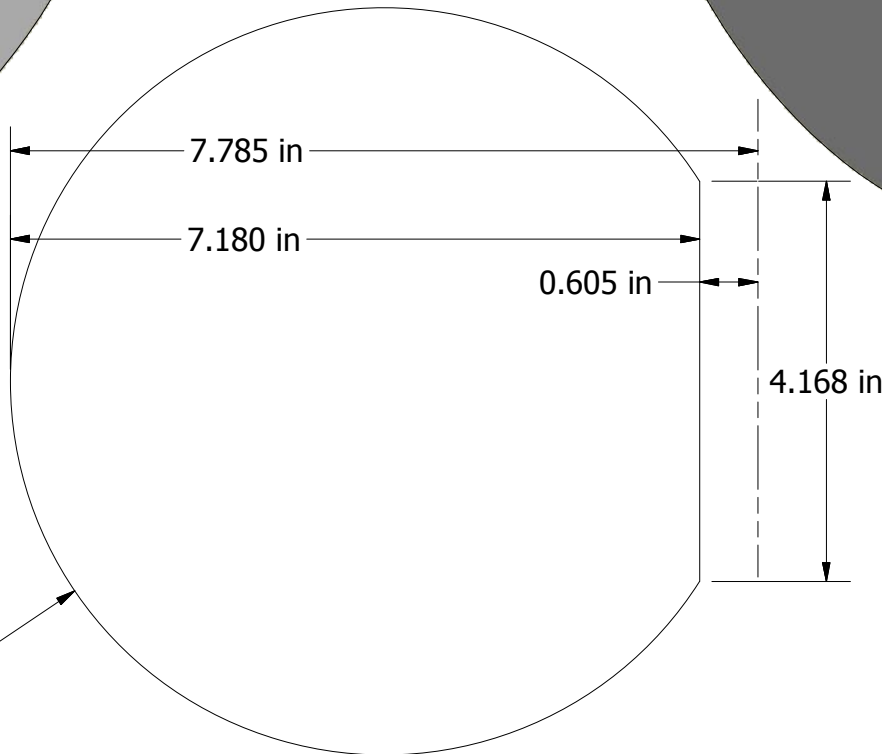
Ø7.785 in

2.750 in

2.750 in

A

A



2

1

A

A