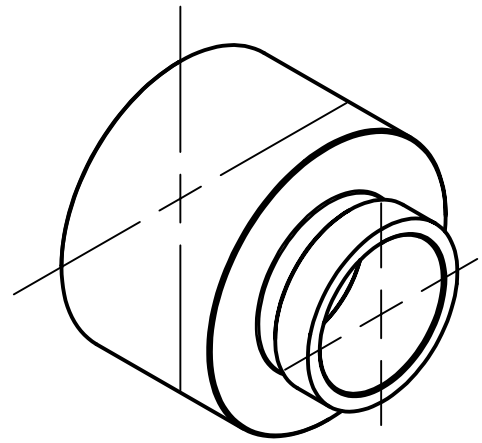


2

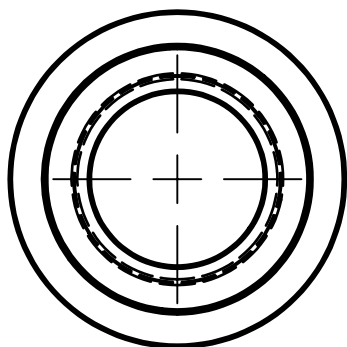
1



B

B

Machine finish outside
 Smooth finish inside
 Chamfer all corners



ID 1.382

0.906 TD

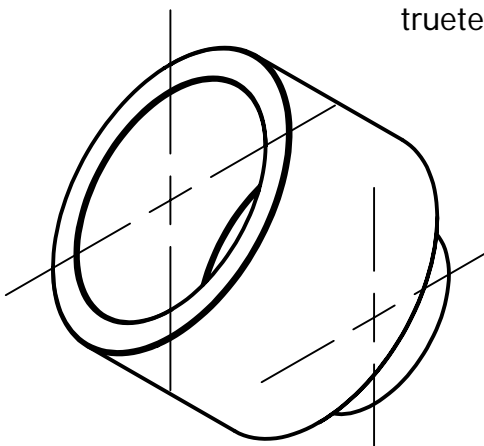
M28 x 0.75
 Dmaj 1.096
 Dcut 0.0224
 P 0.0295
 H 0.0256
 H/4 0.0064
 H/8 0.0032

Ø1.750 OD

Engraved indicia:
 M28 x 0.75 ~ 1.382
 truetex.com
 2004

0.900
 0.190
 0.150
 0.250

1.500



A

A

DRAWN	11/16/2004	Richard J Kinch, PhD www.truetex.com		
CHECKED		TITLE		
QA		ADAPTER, DIGITAL CAMERA TO MICROSCOPE, M42x0.75 male thread, 1.382 dia x 0.9 in female slip		
MFG		SIZE	DWG NO	REV
APPROVED		A	micad	
		SCALE	SHEET 1 OF 1	

2

1

4