

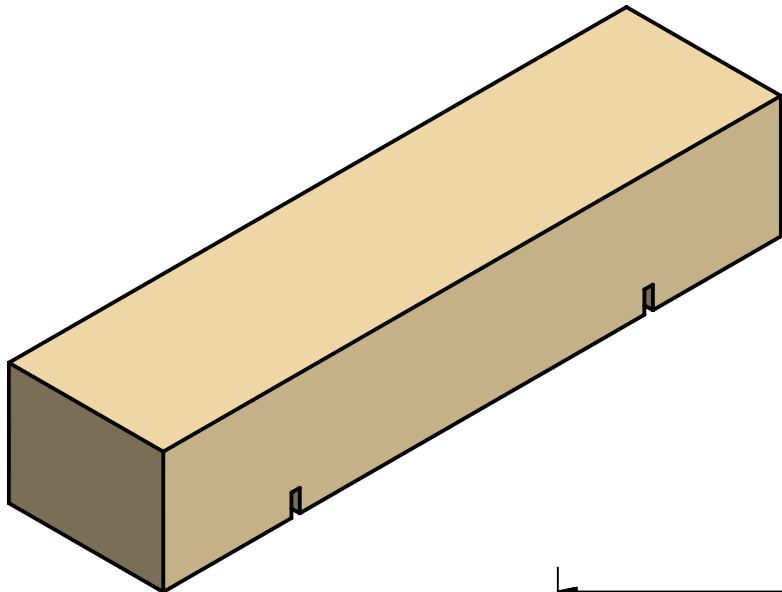
2

1



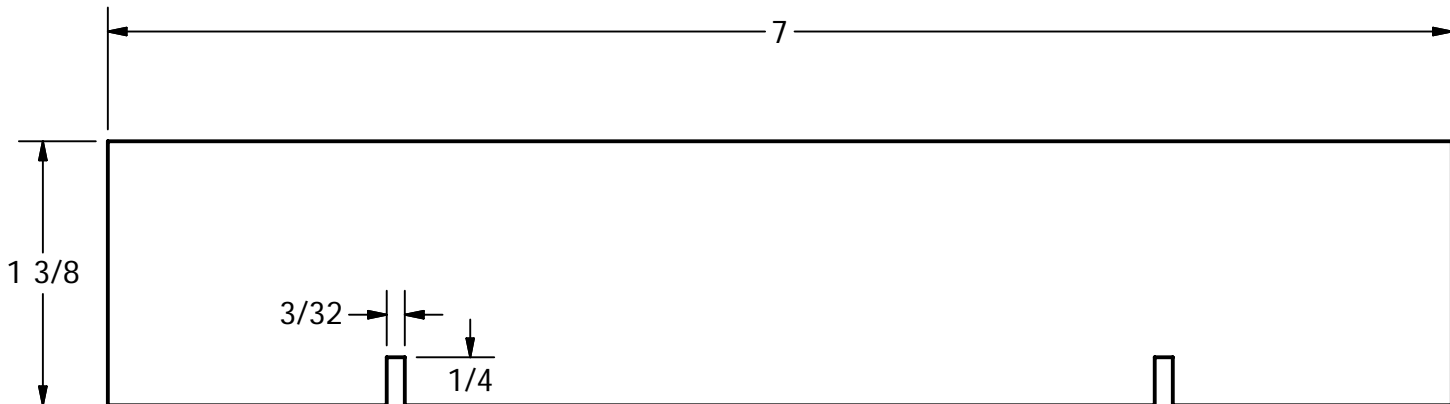
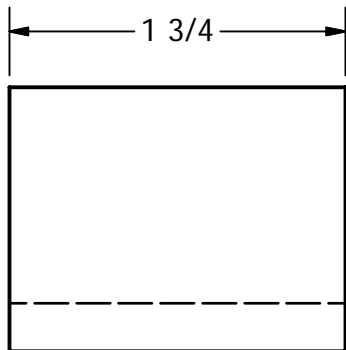
B

B



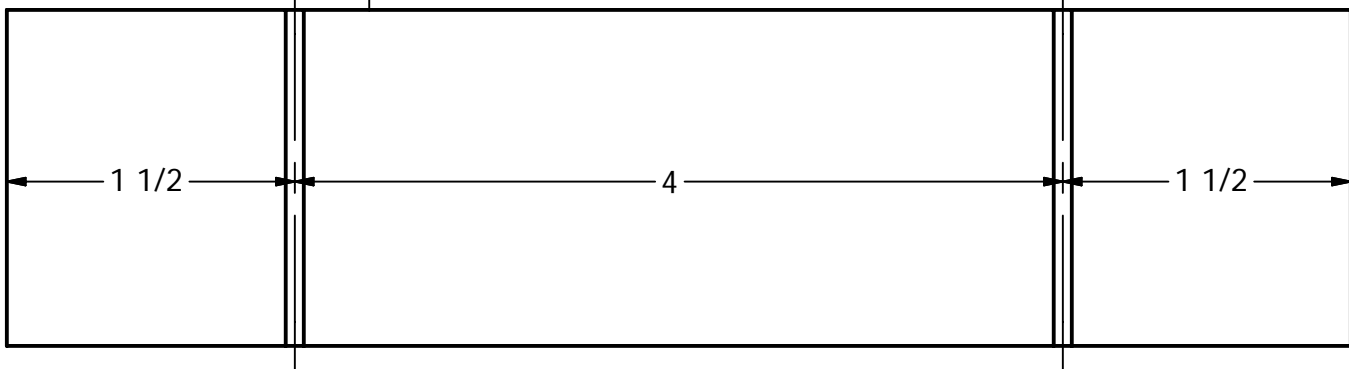
PINEWOOD DERBY REGULATION DIMENSIONS

- Finished height ≤ 3 inches
- Finished width (including wheels) $\leq 2\text{-}3/4$ inches
- Bottom clearance $\geq 3/8$ inch
- Inside wheel clearance $\geq 1\text{ }3/4$ inches
- Weight ≤ 5 oz
- Front wheels aft of centerline leading edge
- Axle lube dry (graphite) only



A

A



Richard J Kinch, PhD -- Palm Beach County, Florida USA -- <http://www.truetex.com>
pinewood_derby_blank.idw

2

1

