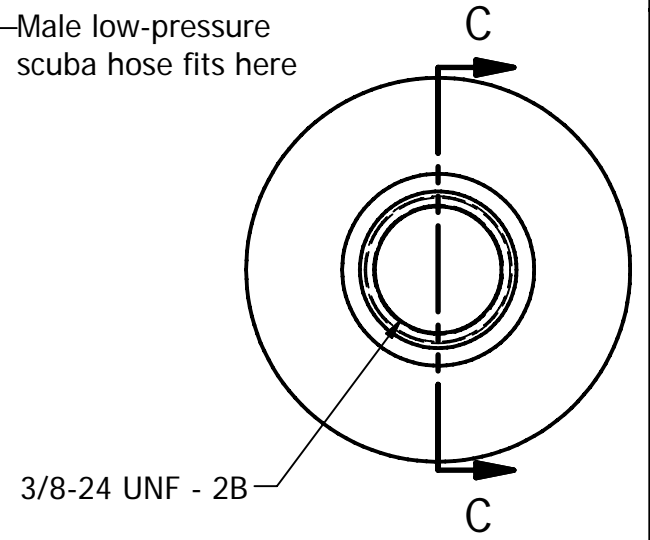
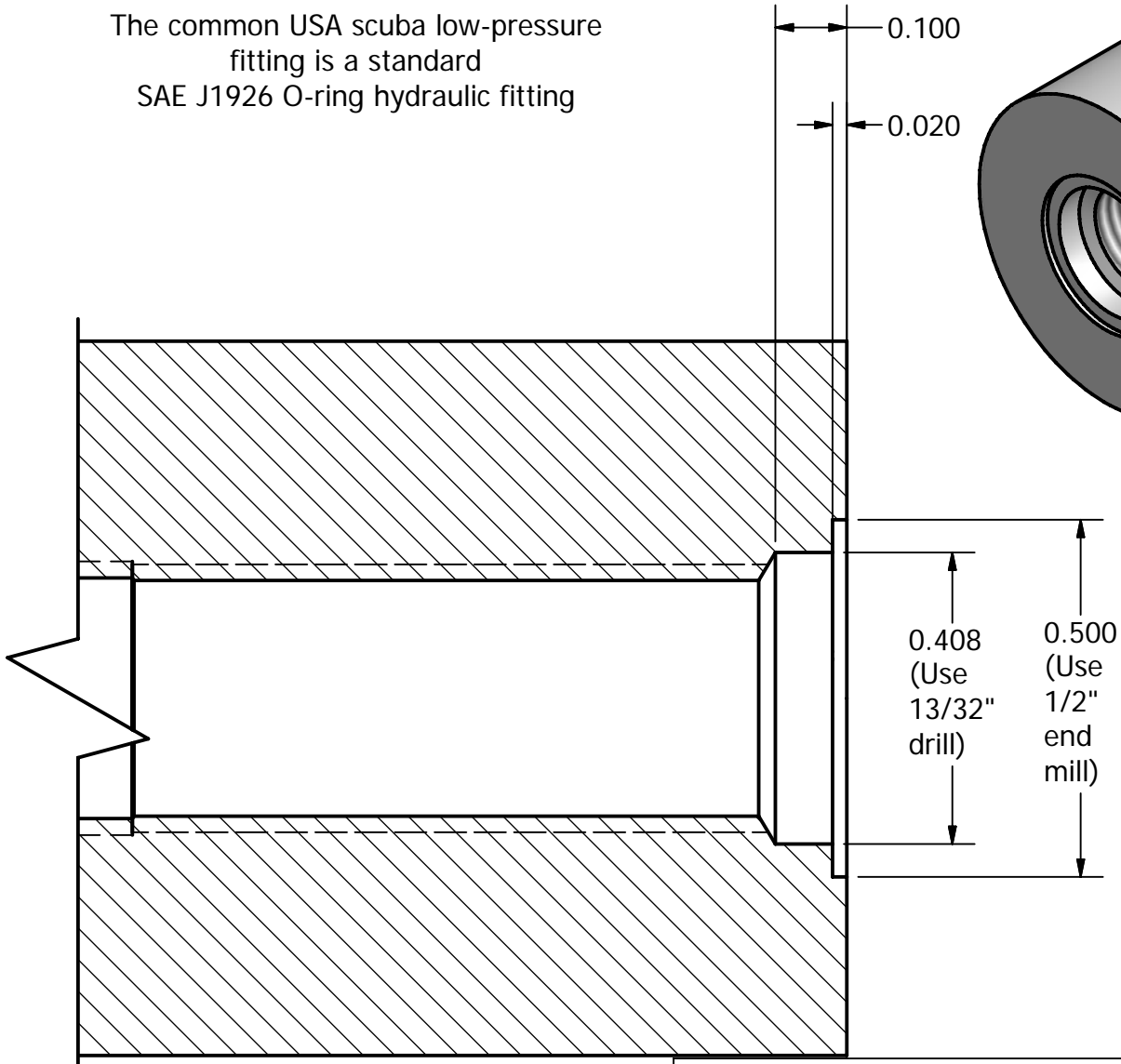
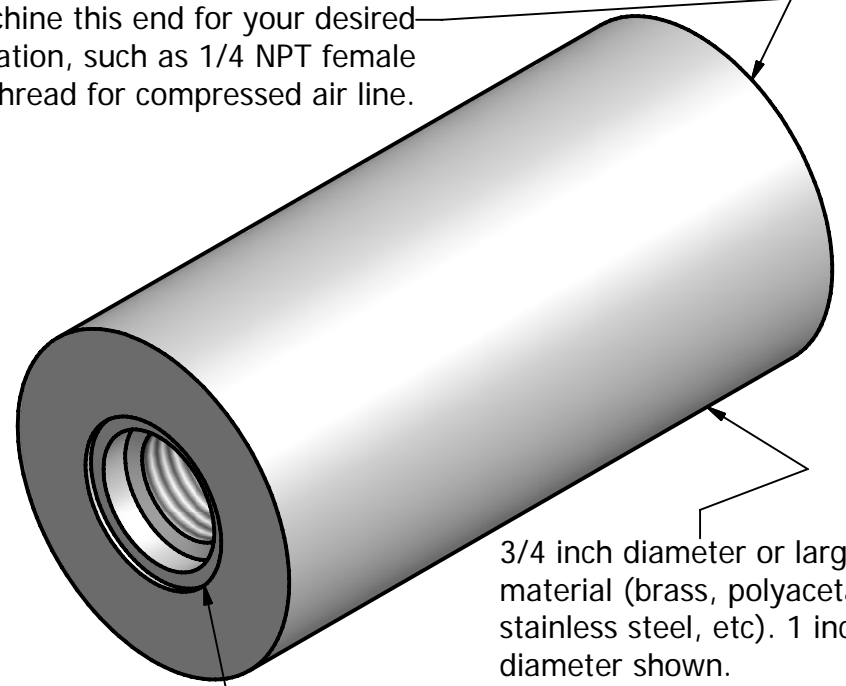


Dimensions and construction of a
SCUBA REGULATOR
LOW-PRESSURE FEMALE PORT

The common USA scuba low-pressure
fitting is a standard
SAE J1926 O-ring hydraulic fitting

Machine this end for your desired
application, such as 1/4 NPT female
pipe thread for compressed air line.



SECTION C-C
SCALE 4 : 1

Richard J Kinch, PhD -- Palm Beach County, Florida USA -- <http://www.truetex.com>
scuba_lp.idw